

ASSEMBLY SHEET

\ CONSTRUCTION OF WOODEN PLANTER





\ CONSTRUCTION OF WOODEN PLANTER

COMPONENTS

Here are the parts you need to build a wooden planter :

- >Planks of treated wood (able to cope with bad weather): In our case we bought decking boards.
- >Wooden battens
- >4×50/30 ROCKET A2 stainless steel wood and chipboard screws
- >Garden sheeting
- >A screw gun
- >A jigsaw
- >a bracket
- >a meter
- >Garden sheeting
- >A staple gun

THE KEY STAGES

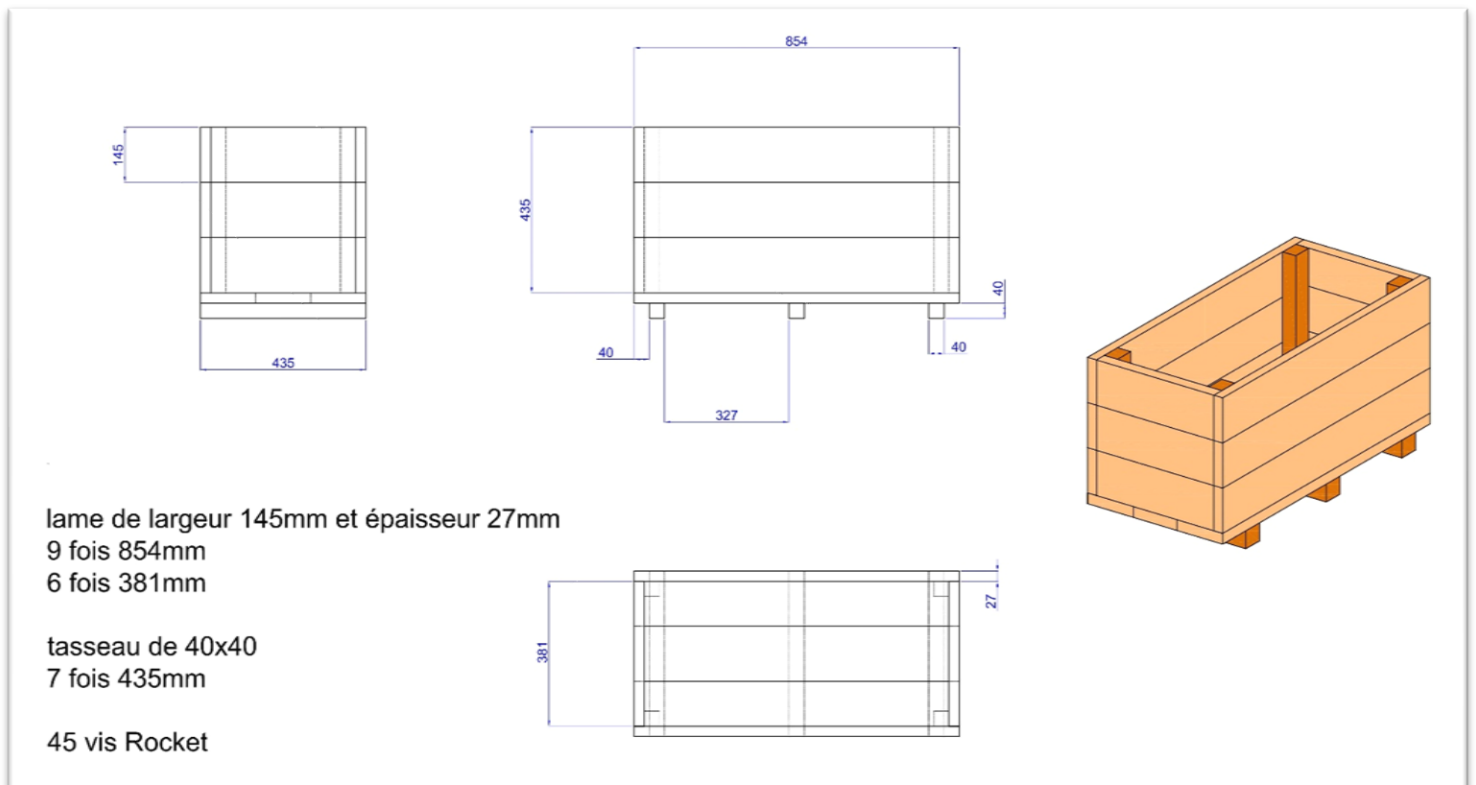
- 1 - CUTTING THE PLANKS**
- 2 - CREATION OF THE BASE OF THE PLANTER**
- 3 - CREATION OF SHORT SIDES**
- 4 - FIXING THE LONG SIDES**
- 5 - FIXING THE BASE**
- 6 - FINISHING THE PLANTER**

\ CONSTRUCTION OF WOODEN PLANTER

STEP 1 \ CUTTING THE PLANKS

Cut the boards to the dimensions of the sketch:

- > For the long sides, cut 9 tears of length 854mm, width 145mm and thickness 27mm. As indicated on the plan, we will put 3 boards per side and for the bottom.
- > Then cut the 6 boards for the short sides. The dimensions 381mm in length, 145mm width and 27mm thickness.
- > Cut 7 strips of 40mm by 40mm and 435mm in length (4 for the corners and 3 below the bottom).



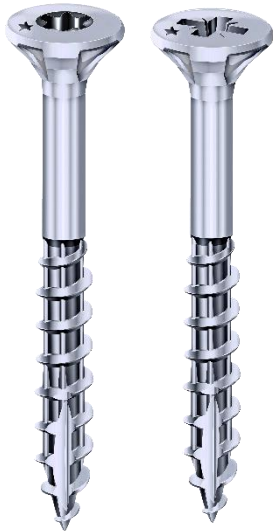
STEP 2 \ CREATION OF THE BASE OF PLANTER

- > Start by placing two cleats at each end of a terrace board (854 mm).
- > Use a square so that the blade is straight on the cleat. The two outer cleats will not be fixed but serve as a guide to fix the inner cleats. This allows them not to be too close to the edge.

\ CONSTRUCTION OF WOODEN PLANTER

- > Place two other boards on the cleats. Place a square below so that the cleats are straight.
- > Then fix the boards in the cleat with the wood and stainless steel chipboard screw A2 4X50. Two screws per blade on each end are required. You can remove the outer cleats that served as a guide.
- > Then fix a third cleat in the middle of the terrace boards to reinforce the structure.

+ PRODUCT ROCKET



ROCKET A2 stainless steel wood and chipboard screws – a high-tech solution for your outdoor projects

Outdoor wooden structures such as patios, cladding and fences require the use of treated or tropical wood in order to cope with bad weather or other vagaries.

you also have to pay particular attention when putting these sorts of structures together. At ROCKET we have developed a range of stainless steel screws, available in pozidriv and star head, which retain their levels of performance and design when used outdoors.

STEP 3 \ CREATION OF SHORT SIDES

- > As you did for the base, place a terrace board (this time of 381) on two cleats. The cleats this time will be positioned at the ends. Always use a square to place the blade.
- > Place the other two planks underneath.
- > Secure them with two screws per board at each end.
- > Perform the same operation for the second side.

\ CONSTRUCTION OF WOODEN PLANTER

STEP 4 \ FIXING LONG SIDES

- > Place the two short sides you created on your workbench. Place a first deck board (854 mm) on it. Correctly positioned the short sides at the ends of the blade. Again, use a square to position the blade.
- > Attach two screws to each end of the blade.
- > Place and fix the other two boards (854 mm) on this same side.
- > Then turn the planter over and do the same to close the planter.

STEP 5 \ FIXING THE BASE

- > Place the base on the planter and draw marks all around the base. Mark a line half your thickness of the wood from the edge.
- > Fix a 4x50 wood and a2 stainless steel chipboard screw in the middle of each blade all around the planter.

STEP 6 \ FINISHING PLANTER

- > Put the tarp in the planter and secure it with the stapler. Make holes in the bottom of the tarp to drain the water.
- > Paint the planter according to your preferences
- > Place the soil in the planter.